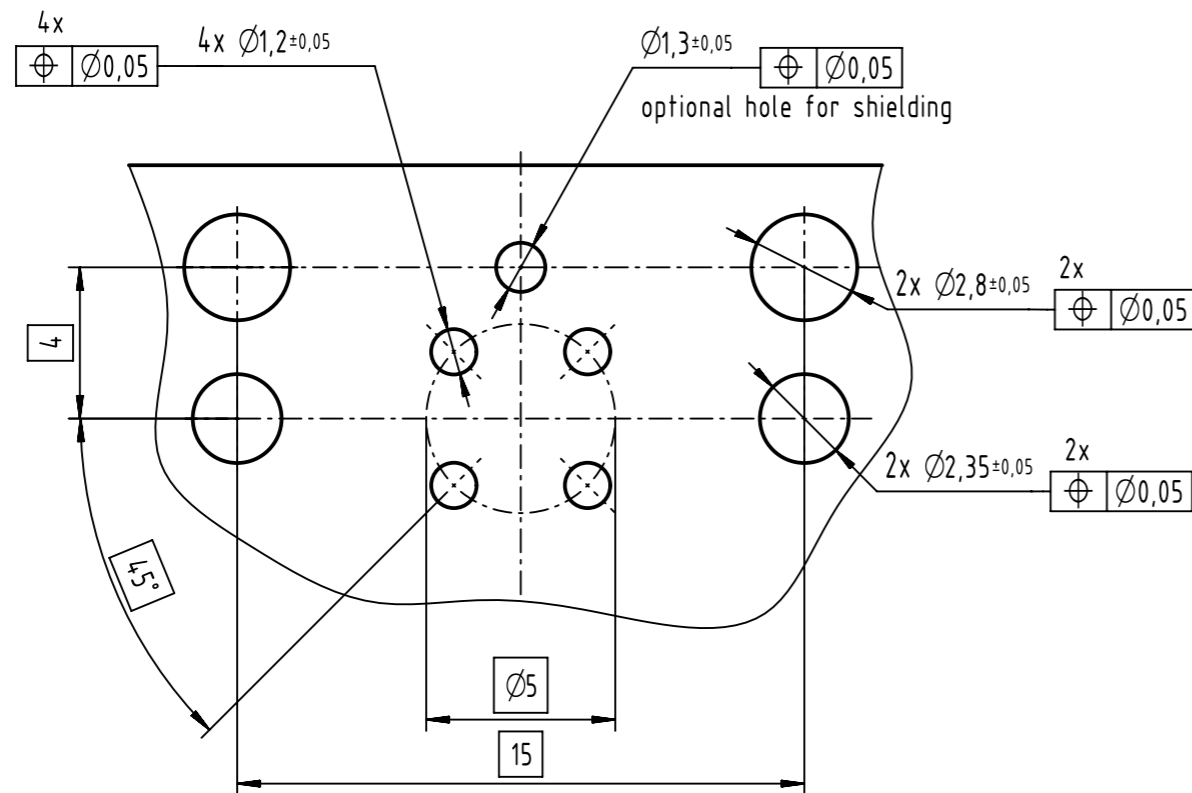
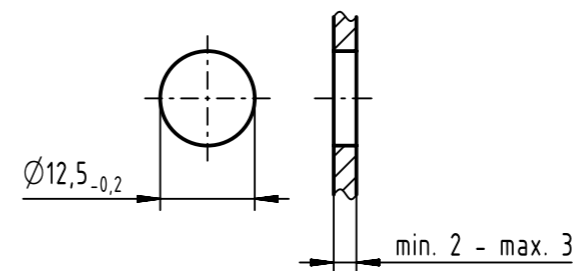


A (5:1)  
recommended PCB layout

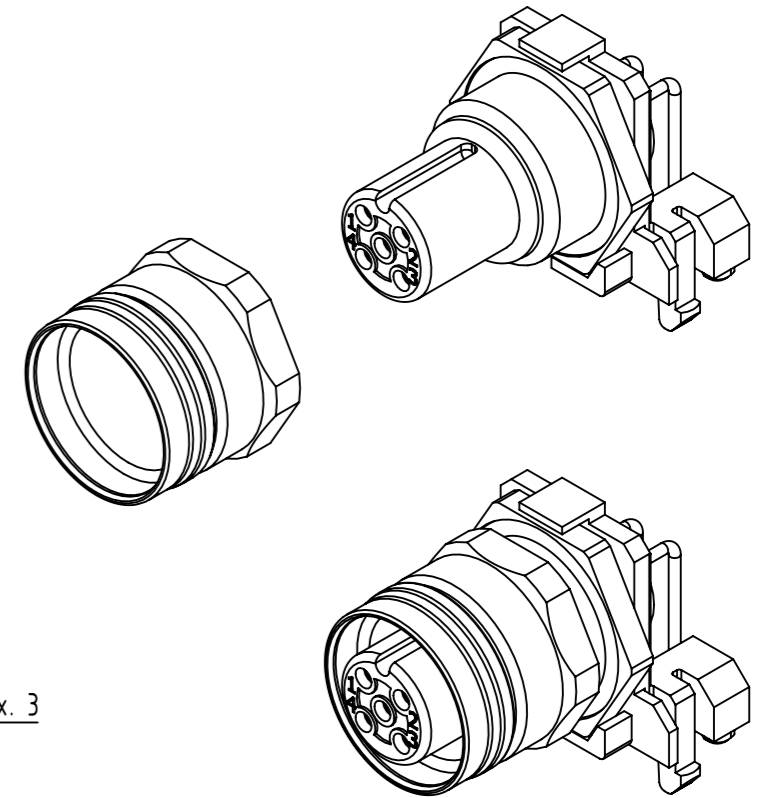


panel cut out  
(1:1)



1 recommended PCB thickness 1,6mm

-10 pcs. package



Coating	A=	mm <sup>2</sup>	V=	mm <sup>3</sup>	m=	g	Mat.
	All Dimensions in mm Original Size DIN A3		Scale 2:1	Free size tol.		Ref. Sub.	
	All rights reserved Department EL PD		Created by EISFELD	Inspected by HASSEBROCKS	Standardisation 302077	Date 2020-11-04	State Final Release
HARTING Electronics GmbH D-32339 Espelkamp		Title M12-PCB-THT-2PC-4P-ACOD-F-ANG-SHLD			Doc-Key / ECM-Nr. 100926314/UGD/000/A 500000182617		Rev. A
		Type TB	Number 21433214451		Page 1/1		